

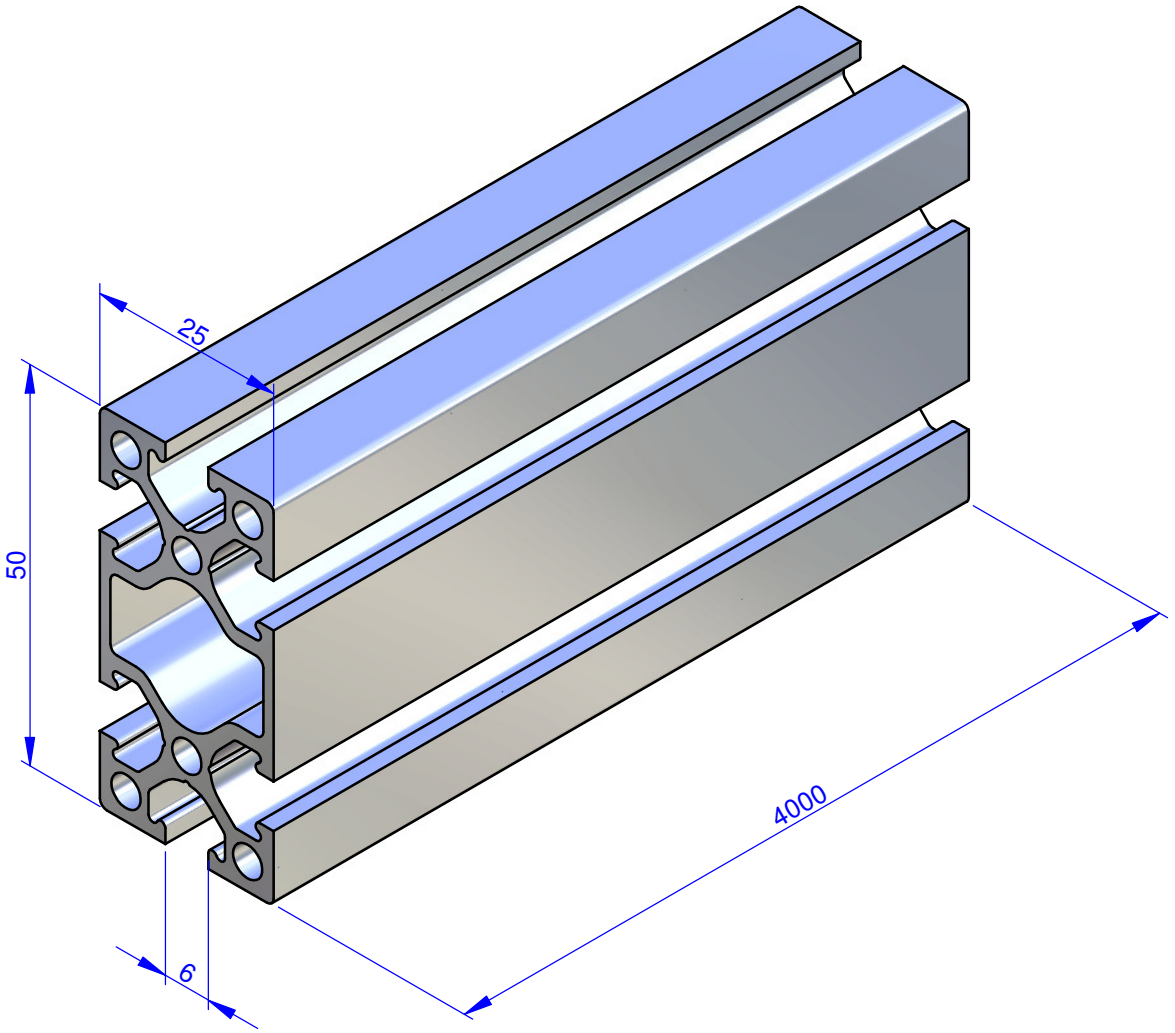
THE PROPERTY OF THIS DRAWING IS ESTABLISHED BY LAW  
IT IS FORBIDDEN TO REPRODUCE IT OR SHOW IT TO THIRD PARTY  
WITHOUT A WRITTEN AGREEMENT.

MODIFICATIONS: VARIED DIMENSIONS AS OF DATE:

7	10
8	11
9	12

MODIFICATIONS: VARIED DIMENSIONS AS OF DATE:

1	4
2	5
3	6

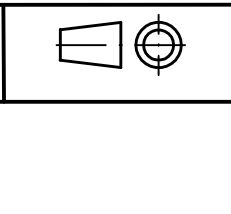


Format **A4**  
UNI 936-76

**FP** Services

GENERAL TOLERANCE:  
UNI - ISO 2768  
CLASSE f

DESCRIPTION



DESIGNED FROM FPSERVICES	
DATE 12/2013	WEIGHT 4,625 kg
CODE <b>CA.X.5025.4000</b>	

